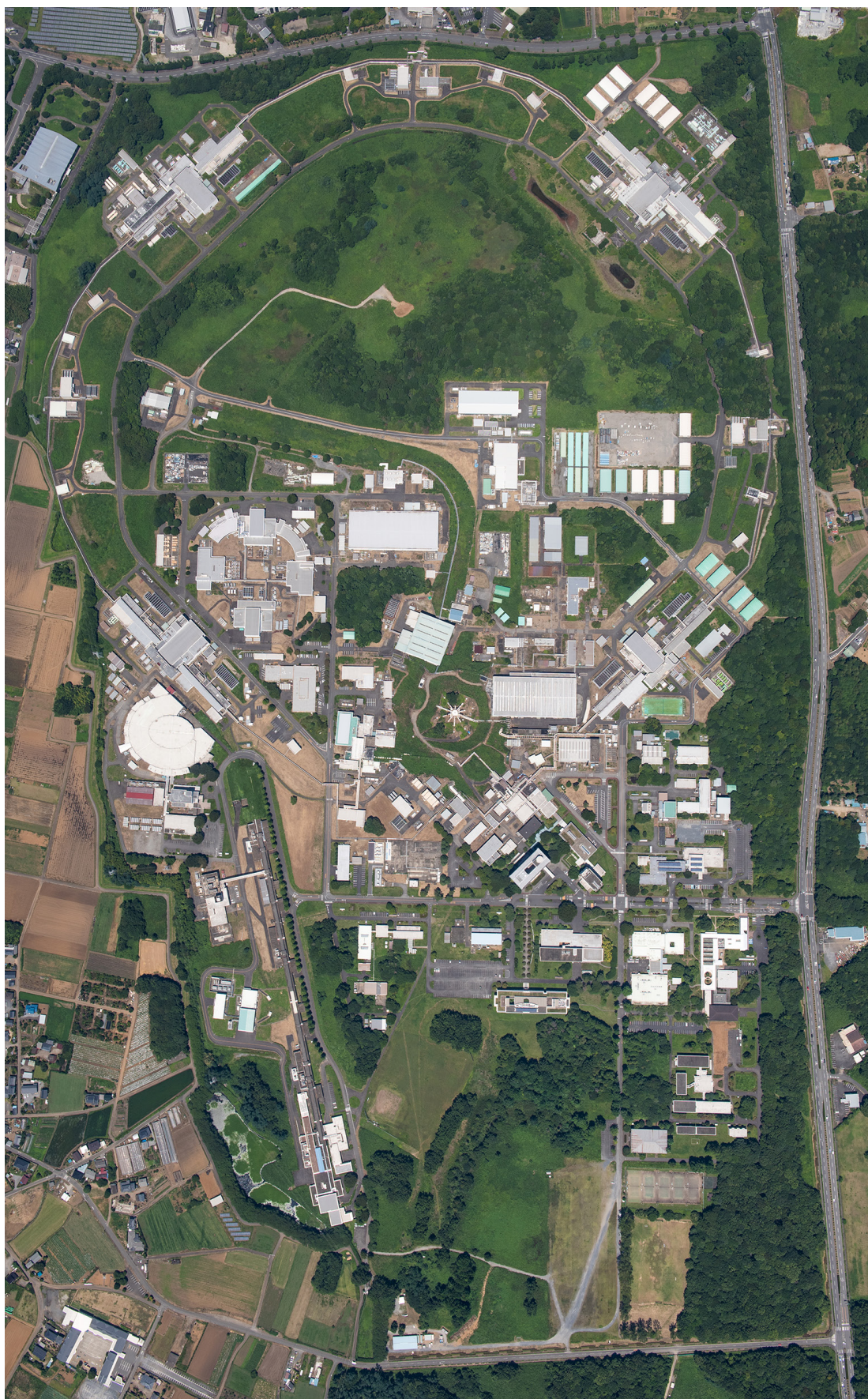
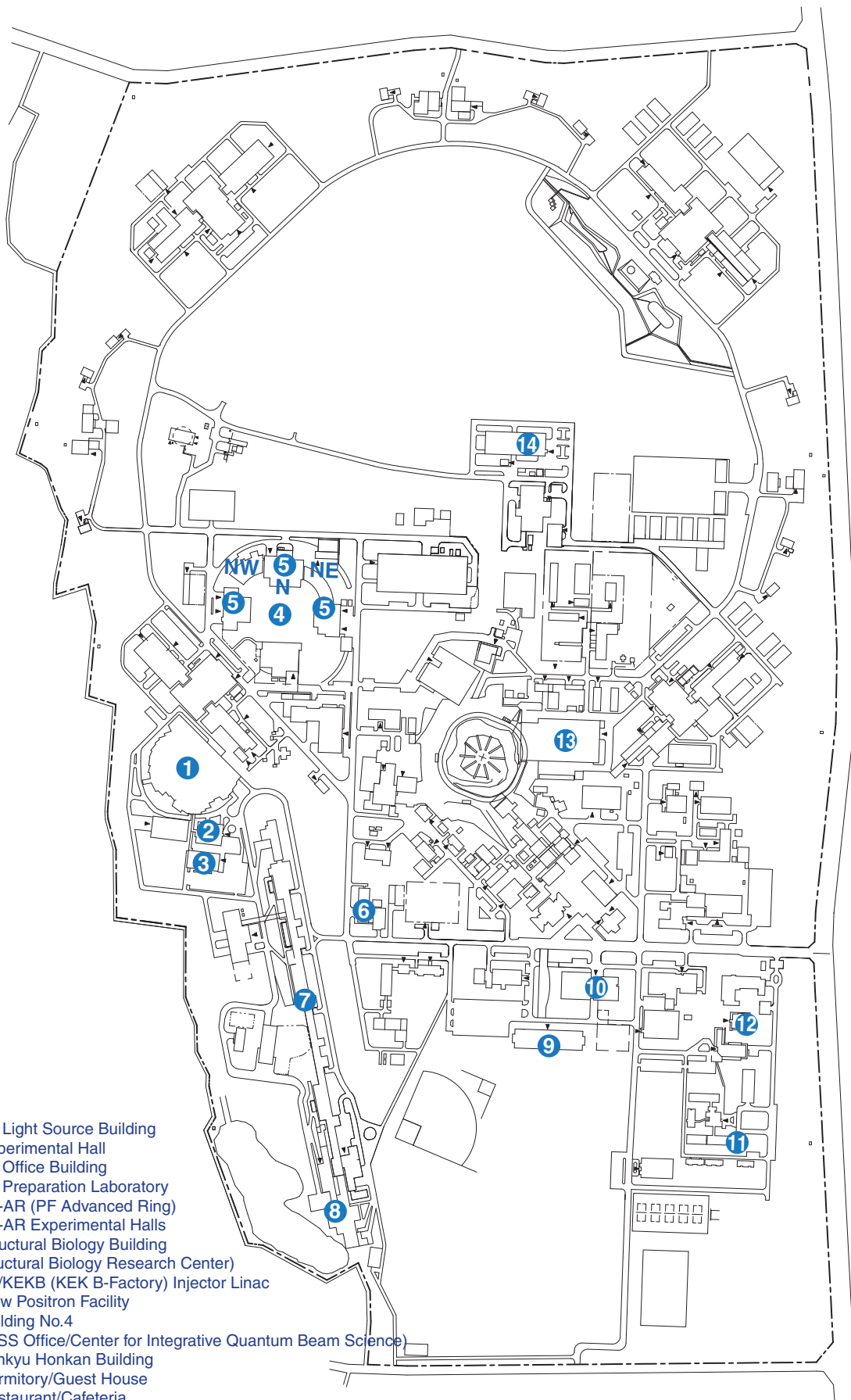


APPENDICES

Site and Organization





- 1. PF Light Source Building
Experimental Hall
- 2. PF Office Building
- 3. PF Preparation Laboratory
- 4. PF-AR (PF Advanced Ring)
- 5. PF-AR Experimental Halls
- 6. Structural Biology Building
(Structural Biology Research Center)
- 7. PF/KEKB (KEK B-Factory) Injector Linac
- 8. Slow Positron Facility
- 9. Building No.4
(IMSS Office/Center for Integrative Quantum Beam Science)
- 10. Kenkyu Honkan Building
- 11. Dormitory/Guest House
- 12. Restaurant/Cafeteria
- 13. ERL Test Facility
- 14. Cryo Electron Microscope (in Superconducting Accelerator Promotion Center)

KEK consists of four research institutions, i.e., the Institute of Materials Structure Science (IMSS), the Institute of Particle and Nuclear Studies (IPNS), the Accelerator Laboratory (AL), and the Applied Research Laboratory (ARL). As shown in Fig. 1, the IMSS com-

prises the Photon Factory, the Synchrotron Radiation Science Divisions I and II, the Slow Positron Facility, the Neutron Science Division, the Muon Science Division, the Structural Biology Research Center, and the Center for Integrative Quantum Beam Science.

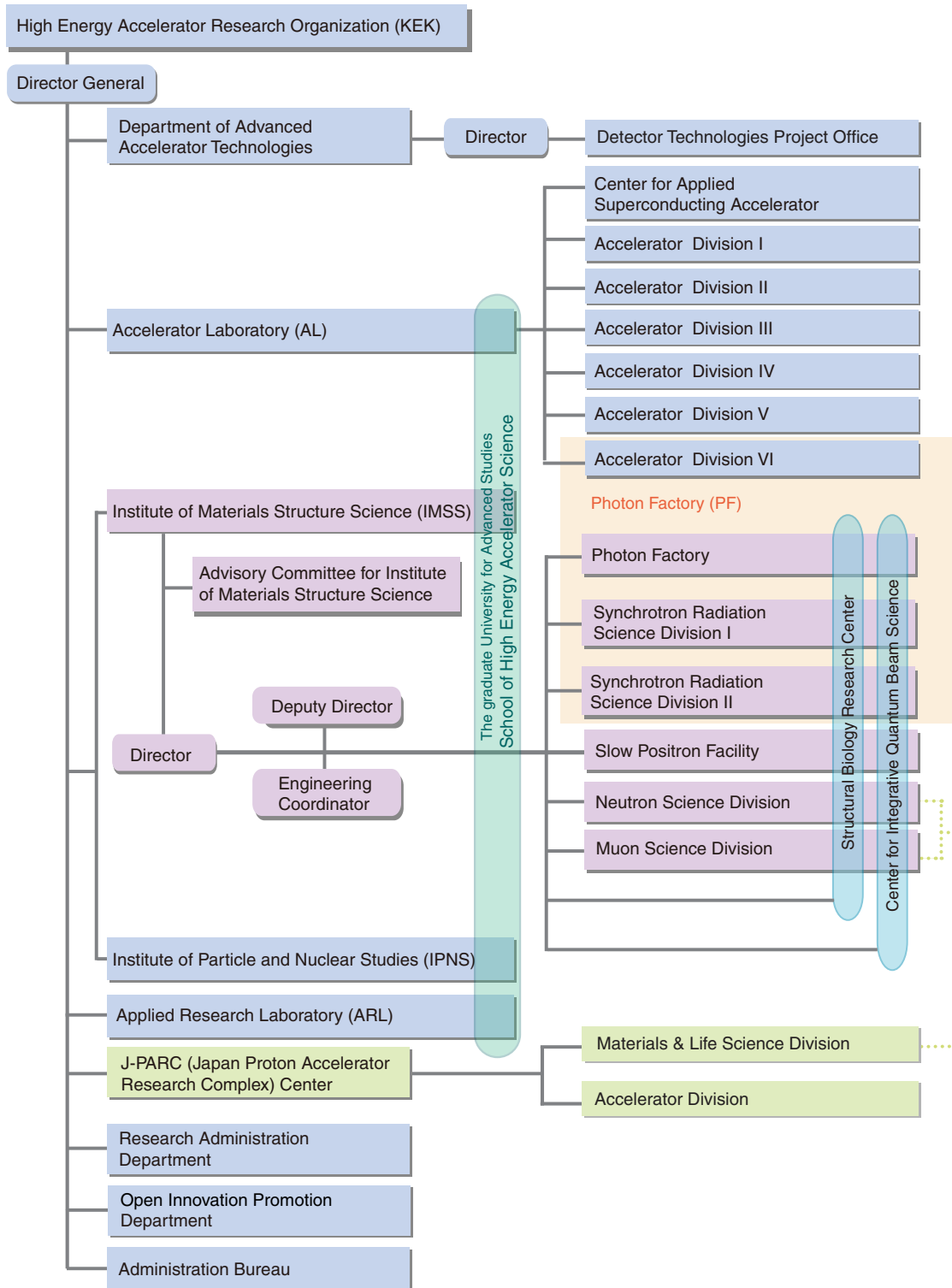


Figure 1: Organization chart of KEK.

The “Photon Factory (PF)” also means a group of divisions, a facility division (Photon Factory), two science divisions (Synchrotron Radiation Science Divisions I and II), and a light source accelerator division (Accelerator Division VI), as shown in the organization chart of **Fig. 2**. The staff members of the PF are listed in **Table 1**. The Photon Factory consists of three sections (administration section, beam line engineering section, and end station

engineering section); the Synchrotron Radiation Science Divisions I and II consist of four sections (surface science section, solid state physics section, structural biology section, and materials science section). The Accelerator Division VI has six groups, which are named Light Source Group I to V and VII. The missions of each group are written in parentheses in **Fig. 2**.

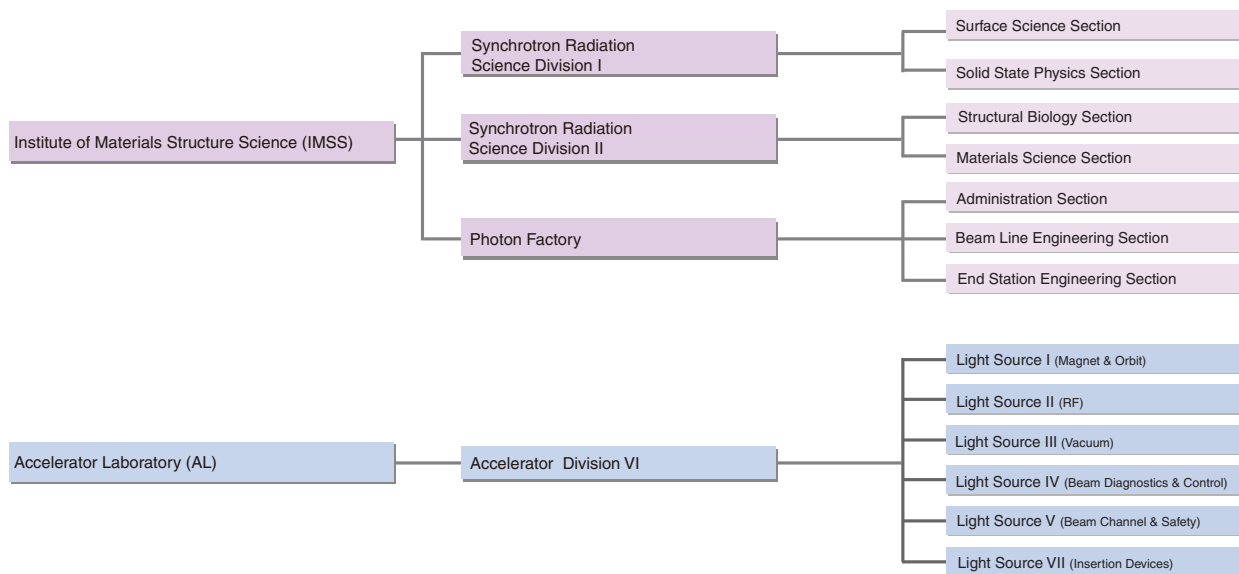


Figure 2: Organization chart of PF (as of March 31, 2022) .

Table 1: Staff members of the Photon Factory.

Division	Section/Group	Name	*Position Title	Remarks
Research Staff				
	IMSS Director	KOSUGI, Nobuhiro	P	
	IMSS Deputy Director	AMEMIYA, Kenta	P	
Synchrotron Radiation Science Division I				
	Head	AMEMIYA, Kenta		
	Surface Science Section			
		⊙ AMEMIYA, Kenta	P	
		KITAMURA, Miho	ASP	
		SAKATA, Kaoruho	PD	
	Solid State Physics Section			
		⊙ KUMAI, Reiji	P	
		NAKAO, Hironori	AP	
		SAGAYAMA, Hajime	AP	
		IWANO, Kaoru	AP	
		YAMAGUCHI, Tokitake	R	
Synchrotron Radiation Science Division II				
	Head	SENDA, Toshiya		
	Structural Biology Section			
		⊙ SENDA, Toshiya	P	
		KATO, Ryuichi	AP	
		KAWASAKI, Masato	AP	
		ADACHI, Naruhiko	AP	
		TANABE, Mikio	AP	
		MORIYA, Toshio	AP	
		HIKITA, Masahide	ASP	
		SENDA, Miki	ASP	~Dec. 31, 2021
		YAMADA, Yusuke	ASP	
		IKEDA, Akihito	R	Apr. 16, 2021~
		OHSHIDA, Tatsuya	R	
		KOBAYASHI, Jun	R	~Nov. 30, 2021
		SHINODA, Akira	R	
		TSUYUGUCHI, Masato	R	
		NAGASE, Lisa	R	
		YU, Hong Yang	R	
	Materials Science Section			
		⊙ KIMURA, Masao	P	
		YAMAMOTO, Shigeru	P	
		ABE, Hitoshi	AP	
		NOZAWA, Shunsuke	AP	
		FUKUMOTO, Keiki	AP	
		TAKEICHI, Yasuo	ASP	~Dec. 31, 2021
		FUKAYA, Ryo	ASP	
		HAWAI, Takafumi	ASP	
		ICHIYANAGI Kohei	R	
		KANAZAWA, Tomoki	R	
		SAITO, Kotaro	R	
		TSUKAHARA, Hiroshi	R	
		HARUKI Rie	R	
		KIM, Youngmin	R	Dec. 16, 2021~

Division	Section/Group	Name	*Position Title	Remarks
Photon Factory				
Head				
		FUNAMORI, Nobumasa		
	Administration Section			
	◎	HYODO, Kazuyuki	P	
		FUNAMORI, Nobumasa	P	
		KIMIJIMA, Ken'ichi	AP	
		USAMI, Noriko	AP	
		KITAJIMA, Yoshinori	AP	
	Beamline Engineering Section			
	◎	IGARASHI, Noriyuki	P	
		KISHIMOTO, Shunji	SF	
		MASE, Kazuhiko	P	
		HIRANO, Keiichi	AP	
		ADACHI, Jun-ichi	AP	
		SUGIYAMA, Hiroshi	ASP	
		NITANI, Hiroaki	ASP	
		WAKABAYASHI, Daisuke	ASP	
		NIWA, Yasuhiro	ASP	Dec. 16, 2021~
		NISHIMURA, Ryutaro	PD	
		SUZUKI, Yoshio	R	
		KOYAMA, Keishi	R	~ Oct. 31, 2021
		KOSUGE, Takashi	SE/ECn	
		TOYOSHIMA, Akio	SE/ECs	
		UCHIDA, Yoshinori	EE/ECs	
		MORI, Takeharu	EE	
		KIKUCHI, Takashi	EE	
		SAITO, Yuuki	E	
		TANAKA, Hirokazu	E	
		NIWA, Yasuhiro	E	~Dec. 16, 2021
		MATSUOKA, Ai	AE	
		ISHII, Haruno	TA	
		KATAOKA, Ryoma	TA	
		NAGATANI, Yasuko	TS	
		KOYAMA, Atsushi	SF	
	End Station Engineering Section			
	◎	SHIMIZU, Nobutaka	P	
		MATSUGAKI, Naohiro	AP	
		OZAWA, Kenichi	AP	Dec. 1, 2021~
		OHHIGASHI, Takuji	AP	Feb. 1, 2021~
		TAKAGI, Hideaki	ASP	
		YAMASHITA, Shohei	ASP	
		SHIBAZAKI, Yuki	ASP	
		KAMEZAWA, Chika	PD	
		KIYEGAWA, Takumi	R	
Slow Positron Facility				
Head				
		KOSUGI, Nobuhiro		
	Slow Positron Section			
	◎	AMEMIYA, Kenta	P	
		WADA, Ken	AP	
		MOCHIZUKI, Izumi	ASP	
Structural Biology Research Center				
Head				
		SENDA, Toshiya		
		WATANABE, Shohei	TS	
Center for Integrative Quantum Beam Science				
Head				
		AMEMIYA, Kenta		
		ONO, Kanta	AP	~May 31, 2021
		ONO, Kanta	P	July 1, 2021~
		YAMADA, Norifumi	AP	
		AHMED, Rezwan	PD	
		FAN, Dongxiao	PD	

Division	Section/Group	Name	*Position Title	Remarks
Accelerator Division VI				
Head		KOBAYASHI, Yukinori		
	Light Source I	◎ NAKAMURA, Norio KOBAYASHI, Yukinori HARADA, Kentaro MITSUDA, Chikaori SHIMADA, Miho SHIMOSAKI, Yoshito TAKAKI, Hiroyuki HIGASHI, Nao TANAKA, Olga UEDA, Akira NAGAHASHI, Shinya SHINOHARA, Satoshi SHINOHARA, Satoshi OZAKI, Toshiyuki	P/SF P AP AP AP AP AP ASP ASP EE E PD R R	Aug. 1, 2021~ Apr. 16, 2021~July 31, 2021
	Light Source II	◎ SAKANAKA, Shogo YAMAMOTO, Naoto YAMAMOTO, Naoto NAITO, Daichi TAKAHASHI, Takeshi	P AP ASP ASP SF	Oct. 1, 2021~ ~Sep. 30, 2021
	Light Source III	◎ HONDA, Tohru TANIMOTO, Yasunori TANIMOTO, Yasunori YAMAMOTO, Masahiro JIN, Xiuguang SASAKI, Hiroyuki NOGAMI, Takashi UCHIYAMA, Takashi	P P AP AP ASP ASP E E	Feb. 1, 2022~ ~Jan. 31, 2021
	Light Source IV	◎ OBINA, Takashi TAKAI, Ryota SAGEHASHI, Hidenori SHIOZAWA, Mami TADANO, Mikito	P AP E TA SF	
	Light Source V	◎ MIYAUCHI, Hiroshi HAGA, Kaiichi NIGORIKAWA, Kazuyuki TAHARA, Toshihiro SATO, Yoshihiro	AP R SE/Ecs EE SF	
	Light Source VII	◎ TSUCHIYA, Kimichika ADACHI, Masahiro EGUCHI, Shu	P ASP AE	
<hr/>				
IMSS General Affairs Office	Head	BAN, Hiroshi	R	
<hr/>				
IMSS Public Relations Office		OHSHIMA, Hiroko FUKABORI, Kyoko	TS TS	~Feb. 28, 2022

	Name	(Affiliation)	Remarks
Visiting Professor			
	ASAKURA, Kiyotaka	(Hokkaido Univ.)	
	IWASAKI, Kenji	(Univ. of Tsukuba)	
	KAMIKUBO, Hironari	(Nara Inst. of Science & Tech.)	
	MURATA, Takeshi	(Chiba Univ.)	
	NIWA, Ryusuke	(Univ. of Tsukuba)	
	TAKAHASHI, Yoshio	(The Univ. of Tokyo)	
	YONEYAMA, Akio	(SAGA Light Source)	
Visiting Associate Professor			
	HOSHI, Takeo	(Tottori Univ.)	
	IKEDA, Shugo	(Univ. of Hyogo)	
	SATO, Tomoko	(Hiroshima Univ.)	
	SUZUKI, Masako	(Gunma Univ.)	
	YAMASAKI, Yuichi	(NIMS)	
Visiting Assistant Professor			
	OZAWA, Kenichi	(Tokyo Tech)	~Nob. 30, 2021
		(KEK-IMSS-PF)	Dec. 1, 2021~
Research Assistant			
	ABE, Tomohiro		
	HOSHINA, Ryuta		
	KANDA, Tatsuhiko		
	RACHI, Takumi		
	YAMAMOTO, Ryosuke		
The Graduate University for Advanced Studies (SOKENDAI)			
	BAJPAI, Rishabh		
	KUMAKI, Fumitoshi		
	LU, Yao		
	MIKI, Hiromi		
	NAKAJIMA, Yusaku		
	NGUYEN, Le Thi My		
	RILLERA, Angelo Perez		
	SUGAWARA, Takahiro		
	SUZUKI, Yuta		
	UY, Mayrene Allam		Oct.1,2021~
	YAMAGUCHI, Takaaki		Oct. 1, 2021~

© Section Leader

*Position Title

P Professor
AP Associate Professor
ASP Assistant Professor
PD Postdoctoral Fellow
R Researcher
SF Senior Fellow
ScF Scientific Fellow
RA Research Assistant

ECn Engineering Coordinator
ECs Engineering Counselor
SE Senior Engineer
EE Expert Engineer
E Engineer
AE Associate Engineer
TA Technical Associate
TS Technical Specialist
DF Diamond Fellow