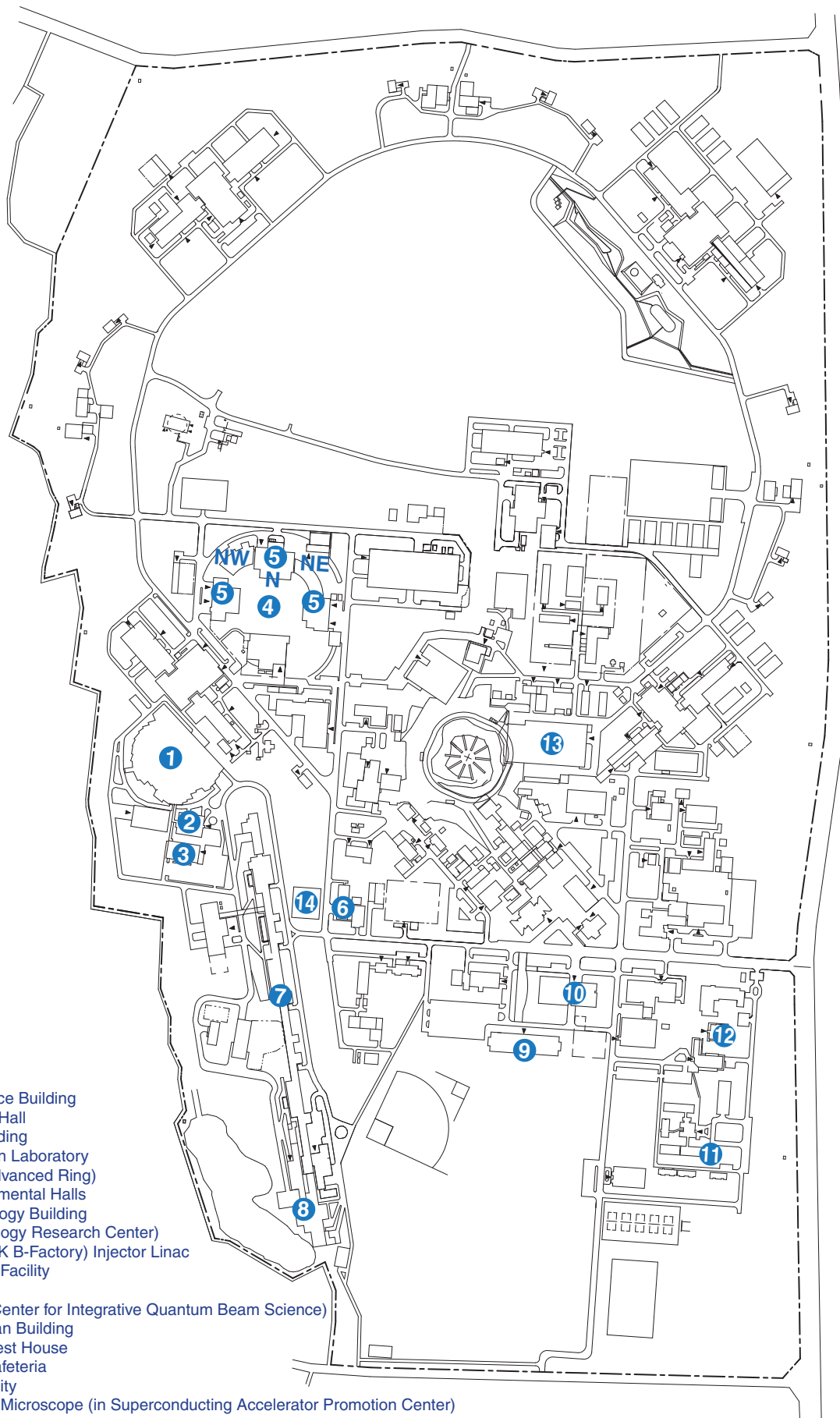


APPENDICES

Site and Organization





1. PF Light Source Building
Experimental Hall
2. PF Office Building
3. PF Preparation Laboratory
4. PF-AR (PF Advanced Ring)
5. PF-AR Experimental Halls
6. Structural Biology Building
(Structural Biology Research Center)
7. PF/KEKB (KEK B-Factor) Injector Linac
8. Slow Positron Facility
9. Building No.4
(IMSS Office/Center for Integrative Quantum Beam Science)
10. Kenkyu Honkan Building
11. Dormitory/Guest House
12. Restaurant/Cafeteria
13. ERL Test Facility
14. Cryo Electron Microscope (in Superconducting Accelerator Promotion Center)

KEK consists of four research institutions, i.e., the Institute of Materials Structure Science (IMSS), the Institute of Particle and Nuclear Studies (IPNS), the Accelerator Laboratory (AL), and the Applied Research Laboratory (ARL). As shown in Fig. 1, the IMSS com-

prises the Photon Factory, the Synchrotron Radiation Science Divisions I and II, the Slow Positron Facility, the Neutron Science Division, the Muon Science Division, the Structural Biology Research Center, and the Center for Integrative Quantum Beam Science.

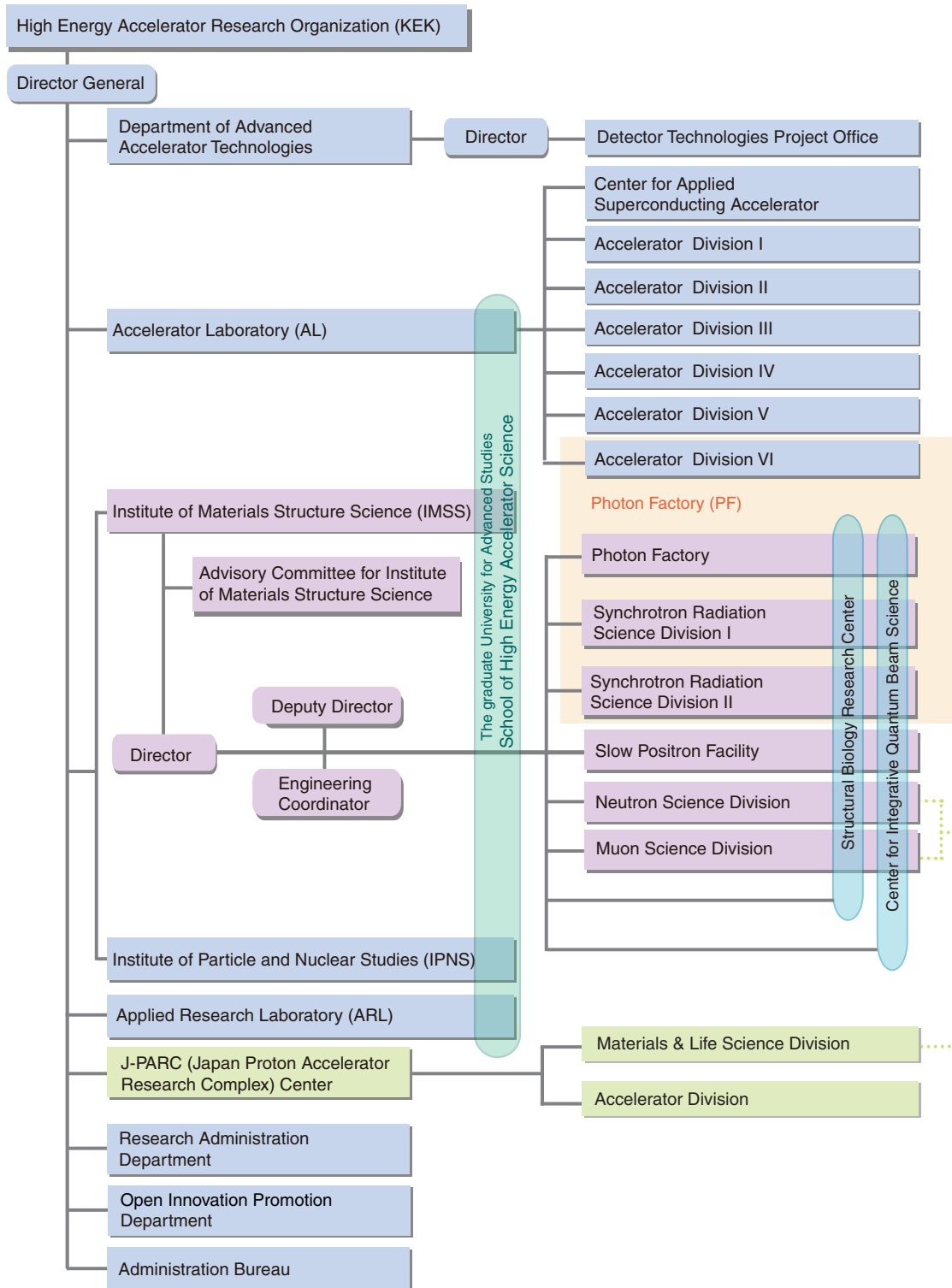


Figure 1: Organization chart of KEK.

The “Photon Factory (PF)” also means a group of divisions, a facility division (Photon Factory), two science divisions (Synchrotron Radiation Science Divisions I and II), and a light source accelerator division (Accelerator Division VI), as shown in the organization chart of **Fig. 2**. The staff members of the PF are listed in **Table 1**. The Photon Factory consists of three sections (administration section, beam line engineering section, and end station

engineering section); the Synchrotron Radiation Science Divisions I and II consist of four sections (surface science section, solid state physics section, structural biology section, and materials science section). The Accelerator Division VI has six groups, which are named Light Source Group I to V and VII. The missions of each group are written in parentheses in **Fig. 2**.

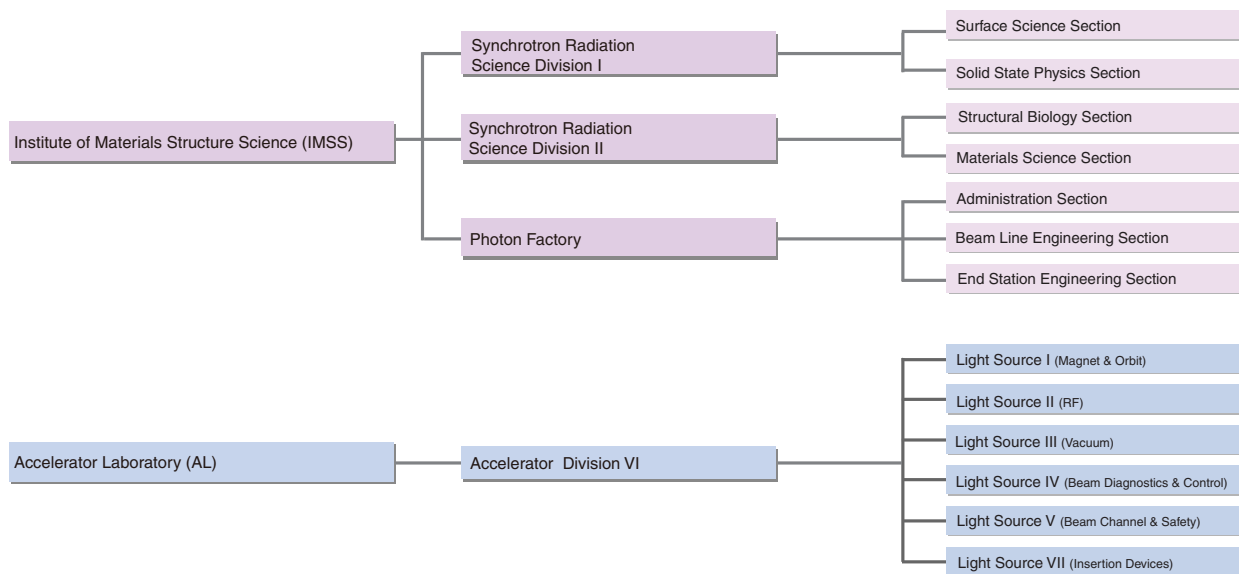


Figure 2: Organization chart of PF (as of March 31, 2023) .

Table 1: Staff members of the Photon Factory.

Division	Section/Group	Name	*Position Title	Remarks
Research Staff				
IMSS Director		KOSUGI, Nobuhiro	P	
IMSS Deputy Director		AMEMIYA, Kenta	P	
Synchrotron Radiation Science Division I				
Head				
		AMEMIYA, Kenta		
	Surface Science Section			
		◎ AMEMIYA, Kenta	P	
		KITAMURA, Miho	ASP	
		SAKATA, Kaoruho	PD	
	Solid State Physics Section			
		◎ KUMAI, Reiji	P	
		NAKAO, Hironori	AP	
		SAGAYAMA, Hajime	AP	
		IWANO, Kaoru	AP	
		YAMAURA, Junichi	R	
Synchrotron Radiation Science Division II				
Head				
		SENDA, Toshiya		
	Structural Biology Section			
		◎ SENDA, Toshiya	P	
		KATO, Ryuichi	AP	
		KAWASAKI, Masato	AP	
		ADACHI, Naruhiko	AP	Oct. 1, 2022 ~
		MORIYA, Toshio	AP	
		TANABE, Mikio	AP	
		YAMADA, Yusuke	AP	Dec. 16, 2022~
		HIKITA, Masahide	ASP	
		YAMADA, Yusuke	ASP	~Dec. 15, 2022
		SENDA, Miki	ASP	Oct. 1, 2022 ~
		IKEDA, Akihito	R	
		INABA, Satomi	R	Oct. 1, 2022 ~
		NAGASE, Lisa	R	
		OHSHIDA, Tatsuya	R	~Apr. 30, 2022
		TAKASU(SHINODA), Akira	R	
		TSUYUGUCHI, Masato	R	
		YU, Hong Yang	R	~Feb. 28, 2023
	Materials Science Section			
		◎ KIMURA, Masao	P	
		YAMAMOTO, Shigeru	P	
		ABE, Hitoshi	AP	
		NOZAWA, Shunsuke	AP	
		FUKUMOTO, Keiki	AP	
		KIDO, Daiki	ASP	Jan. 16, 2023~
		FUKAYA, Ryo	ASP	
		HARUKI Rie	R	
		ICHIYANAGI Kohei	R	~Jun. 30, 2022
		KIM, Youngmin	R	
		OSHITA, Hiromi	PD	

Division	Section/Group	Name	*Position Title	Remarks
Photon Factory				
Head				
		FUNAMORI, Nobumasa		
	Administration Section			
		◎ KITAJIMA, Yoshinori	P	
		FUNAMORI, Nobumasa	P	
		HYODO, Kazuyuki	P/SF	
		KIMIJIMA, Ken'ichi	AP	
		USAMI, Noriko	AP	
	Beamline Engineering Section			
		◎ IGARASHI, Noriyuki	P	
		MASE, Kazuhiko	P	
		KISHIMOTO, Shunji	P/SF	
		HIRANO, Keiichi	AP	
		ADACHI, Jun-ichi	AP	
		NITANI, Hiroaki	ASP	
		SUGIYAMA, Hiroshi	ASP	
		WAKABAYASHI, Daisuke	ASP	
		SUZUKI, Yoshio	R	
		KOSUGE, Takashi	SE/ECn	
		TOYOSHIMA, Akio	SE/ECs	
		UCHIDA, Yoshinori	EE/ECs	
		KIKUCHI, Takashi	EE	
		MORI, Takeharu	EE	
		SAITO, Yuuki	E	
		TANAKA, Hirokazu	E	
		MATSUOKA, Ai	AE	
		ISHII, Haruno	TA	
		KATAOKA, Ryoma	TA	
		NARITA, Chiharu	TA	
		NAGATANI, Yasuko	TS	
		NISHIMURA, Ryutaro	TS	
		KOYAMA, Atsushi	SF	
	End Station Engineering Section			
		◎ SHIMIZU, Nobutaka	P	
		MATSUGAKI, Naohiro	AP	
		OHIGASHI, Takuji	AP	
		OKUYAMA, Daisuke	AP	
		OZAWA, Kenichi	AP	
		TAKAGI, Hideaki	ASP	
		YAMASHITA, Shohei	ASP	
		NIWA, Yasuhiro	ASP	
		SHIBAZAKI, Yuki	ASP	
		KAMEZAWA, Chika	ASP	Sep. 1, 2022~
		KAMEZAWA, Chika	PD	~Aug. 31, 2022
		KIYEGAWA, Takumi	R	
Slow Positron Facility				
Head				
	Slow Positron Section	KOSUGI, Nobuhiro		
		◎ AMEMIYA, Kenta	P	
		WADA, Ken	AP	
		MOCHIZUKI, Izumi	ASP	
Structural Biology Research Center				
Head				
		SENDA, Toshiya		
		WATANABE, Shohei	TS	
Center for Integrative Quantum Beam Science				
Head				
		AMEMIYA, Kenta		
		ONO, Kanta	P	
		YAMADA, Norifumi	AP	
		AHMED, Rezwan	PD	
		FAN, Dongxiao	PD	

Division	Section/Group	Name	*Position Title	Remarks
Accelerator Division VI				
Head		KOBAYASHI, Yukinori		
	Light Source I	◎ NAKAMURA, Norio	P/SF	
		KOBAYASHI, Yukinori	P	
		HARADA, Kentaro	AP	
		MITSUDA, Chikaori	AP	
		SHIMOSAKI, Yoshito	AP	
		TAKAKI, Hiroyuki	AP	
		HIGASHI, Nao	ASP	
		TANAKA, Olga	ASP	
		SHINOHARA, Satoshi	APS	Jul. 1, 2022~
		UEDA, Akira	EE	
		NAGAHASHI, Shinya	E	
		SHINOHARA, Satoshi	PD	~Jun. 30, 2022
		OZAKI, Toshiyuki	R	
	Light Source II	◎ SAKANAKA, Shogo	P	
		YAMAMOTO, Naoto	AP	
		NAITO, Daichi	ASP	
		TAKAHASHI, Takeshi	SF	
	Light Source III	◎ HONDA, Tohru	P	
		TANIMOTO, Yasunori	P	
		JIN, Xiuguang	ASP	
		SASAKI, Hiroyuki	ASP	
		NOGAMI, Takashi	E	
		UCHIYAMA, Takashi	E	
	Light Source IV	◎ OBINA, Takashi	P	
		TAKAI, Ryota	AP	
		SAGEHASHI, Hidenori	E	
		SHIOZAWA, Mami	TA	
		TADANO, Mikito	SF	
	Light Source V	◎ MIYAUCHI, Hiroshi	AP	
		HAGA, Kaiichi	R	
		NIGORIKAWA, Kazuyuki	SE/Ecs	
		TAHARA, Toshihiro	EE	
		SATO, Yoshihiro	SF	
	Light Source VII	◎ TSUCHIYA, Kimichika	P	
		ADACHI, Masahiro	ASP	
		SAITO, Hiroto	ASP	~Jun. 30, 2022
		EGUCHI, Shu	AE	
IMSS Public Relations Office				
		IRIE, Atsuko	TS	
		OHSHIMA, Hiroko	TS	

Division	Section/Group	Name	*Position Title	Remarks
Visiting Professor				
		AIURA, Yoshihiro	(AIST)	
		ASAKURA, Kiyotaka	(Hokkaido Univ.)	
		IWASAKI, Kenji	(Univ. of Tsukuba)	
		MURATA, Takeshi	(Chiba Univ.)	
		SUGIYAMA, Masaaki	(Kyoto Univ.)	
		TAKAHASHI, Yoshio	(The Univ. of Tokyo)	
		TAKEYA, Satoshi	(AIST)	
		YONEYAMA, Akio	(SAGA Light Source)	
Visiting Associate Professor				
		HOSHI, Takeo	(Tottori Univ.)	
		MAEKI, Masatoshi	(Hokkaido Univ.)	
Research Assistant				
		ABE, Miki		~Jun. 30, 2022
		HASEGAWA, Noto		
		KANDA, Tatsuhiko		
		MATSUOKA, Masahiro		Jul. 1, 2022~
		TUSHIMA, Yuuta		Jul. 1, 2022~
		UEZONO, Namiki		
		WADA, Asato		
		YAMAMOTO, Ryosuke		
The Graduate University for Advanced Studies (SOKENDAI)				
		BAJPAI, Rishabh		~Sep. 30, 2022
		KUMAKI, Fumitoshi		
		LU, Yao		~Sep. 30, 2022
		MIKI, Hiromi		
		NAKAJIMA, Yusaku		
		NARIKIYO Shuhei		
		NGUYEN, Le Thi My		
		RILLERA, Angelo Perez		
		UTSUGI, Shigeki		
		UY, Mayrene Allam		
		YAMAGUCHI, Takaaki		
© Section Leader			ECn	Engineering Coordinator
*Position Title			ECs	Engineering Counselor
P	Professor		SE	Senior Engineer
AP	Associate Professor		EE	Expert Engineer
ASP	Assistant Professor		E	Engineer
PD	Postdoctoral Fellow		AE	Associate Engineer
R	Researcher		TA	Technical Associate
SF	Senior Fellow		TS	Technical Specialist
ScF	Scientific Fellow		DF	Diamond Fellow
RA	Research Assistant			