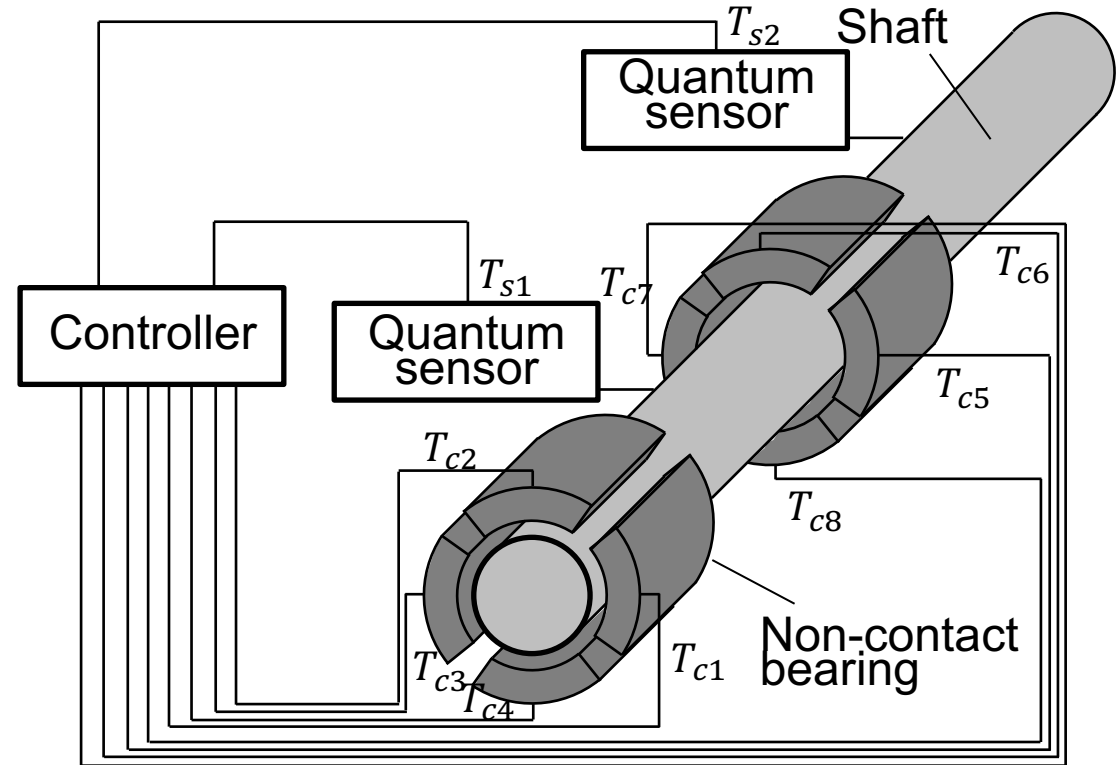
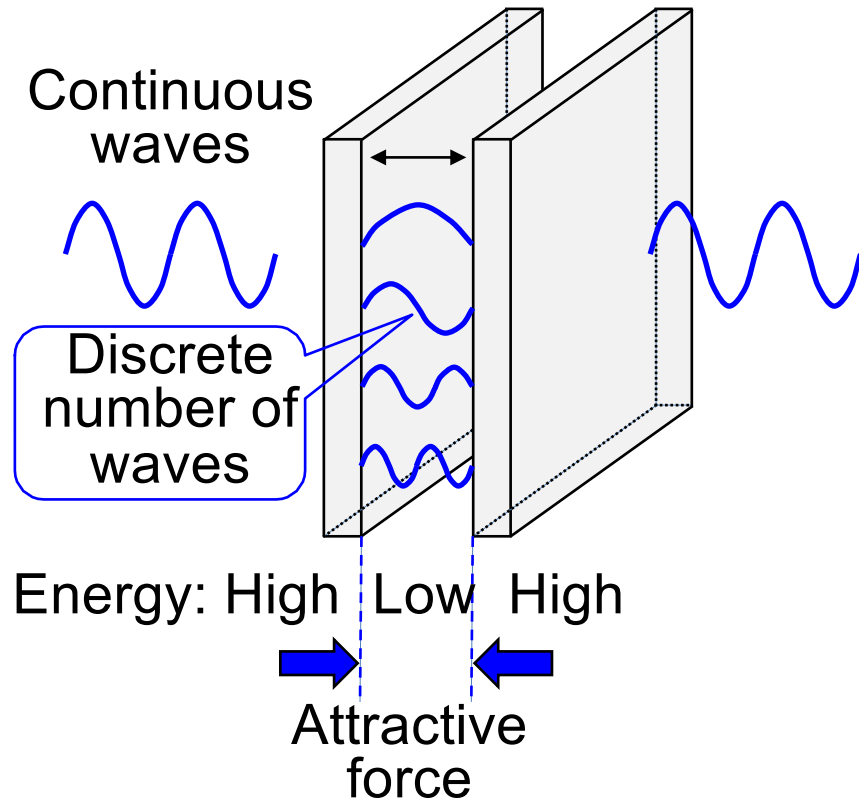


Casimir Force Device

What is Casimir force? Non-contact shaft-bearing system



Toyota group has well-established silicon carbide (SiC) technology. SiC based quantum sensors should enable the system.